

## **KOWAN Still Worker WP150**

### Operated Still Worker WP150 and Crawler Crane Hire from Jones Crawler Cranes



- Silent and Vibration-Free Pile Press installation
- Very quiet operations with zero vibration
- Install piles using hydraulic force up to 150 T
- Suited to sites with tight access

- Sheet piles installed very close to existing buildings and structures
- Sheet Piles installed adjacent to listed buildings
- Biodegradable Hydraulic Oil as standard
- Minimal work at height



**For Pile Press Hire  
Contact: Andy Appleton  
Tel: 07912 993 782**

# Jones Crawler Cranes

07836 699234

mark@jonescrawlercranes.com  
www.jonescrawlercranes.com

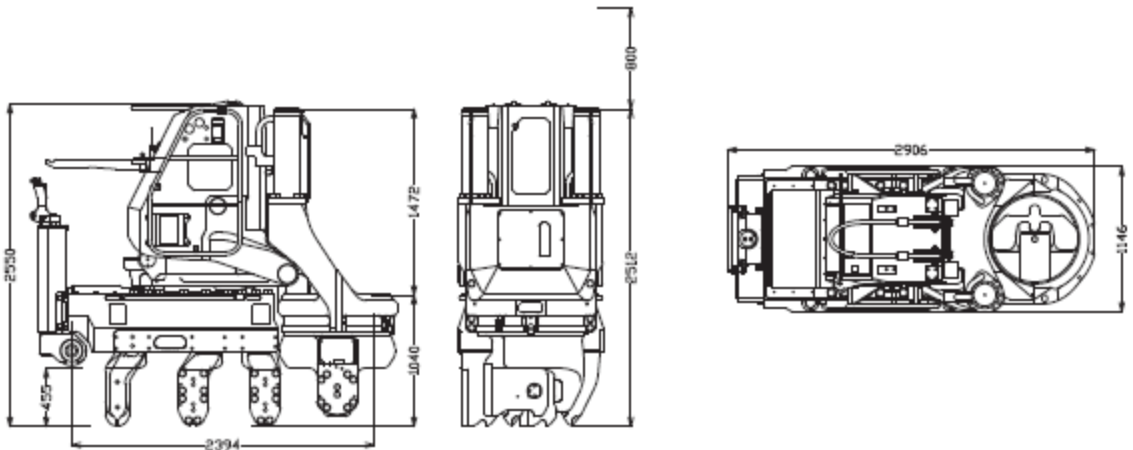
3 Gold Hill, Shaftesbury, Dorset, SP7 8JW

Office Tel : 08456 440 553

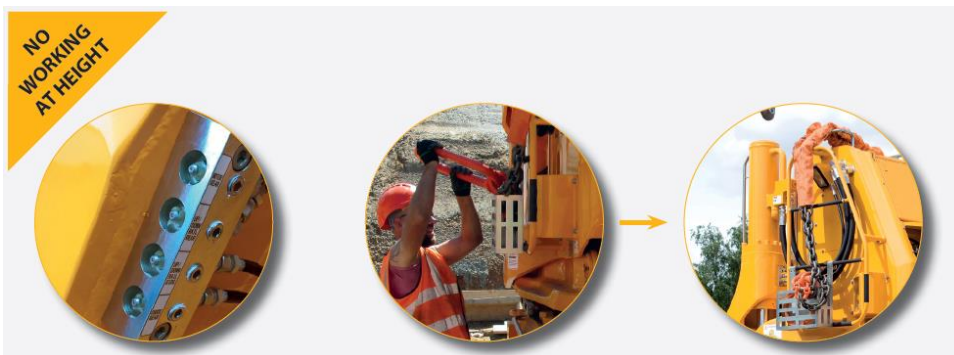
Fax : 01747 852233

## **KOWAN** Still Worker WP150

Max pressing in force	kN	1500
Max drawing out force	kN	1600
Stroke	mm	800
Pressing In speed	m/min	1.8-23.0
Drawing out speed	m/min	1.9-18.0
Tilting device	degrees	+/-5
Mast rotation	degrees	180
Applicable sheet piles	mm	'U' 400 - 600
Operation system	Wireless radio control & cable remote control	
Moving system	Self-moving	
Oil/Greases	Biodegradable	
Weight	kg	9,900



No working at height; low level greasing points and low level lifting accessories storage on the pile press and power pack.



# Jones Crawler Cranes

07836 699234  
 mark@jonescrawlercranes.com  
 www.jonescrawlercranes.com

3 Gold Hill, Shaftesbury, Dorset, SP7 8JW  
 Office Tel : 08456 440 553  
 Fax : 01747 852233

## **KOWAN** Still Worker WP150

### Hydraulic Tracked Power Pack



		KE200C4
Power		Diesel engine
Output rating	kw/min	168/1800 -1
Fuel oil tank	litres	400
Hydraulic oil tank	litres	550
Weight	kg	7150

#### Stage IV Engine

The Still Worker power packs comply with stage IV EU regulations which specify emission requirements for all new non-road mobile machinery.

#### Bio-oil

The use of ECO friendly Bio hydraulic oil means that any leak or spillage won't cause catastrophic harm to the environment.

*All measurements are approximate and are subject to change. Please contact us if you need exact measurements for a specific piece of equipment.*

### Reaction Stand

		WP
Length (L1)	mm	3200
Length (L2)	mm	5465
Width (W1)	mm	2000
Width (W2)	mm	4220
Height	mm	475
Weight	kg	1700

